

Copyright of Turley
 This drawing is the final and complete version of the design. It is not to be used for any other purpose without the written consent of Turley. Turley is not responsible for any errors or omissions in this drawing. The client is responsible for ensuring that the design is suitable for the intended use and that all necessary permissions are obtained. The client is also responsible for ensuring that the design is in accordance with all applicable laws and regulations.

- Application boundary
- Existing road
- Existing pavement
- Rippled fencing
- Horse fencing
- Post and wire fence
- Ecological mitigation buffer
- Parking space

CLIENT:
 Arts University Bournemouth

PROJECT:
 Arts University Bournemouth

DRAWING:
 Parking Plan

PROJECT NUMBER:
 ARTW3007

DRAWING NUMBER:
 14_

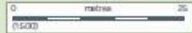
CHECKED BY:
 MM

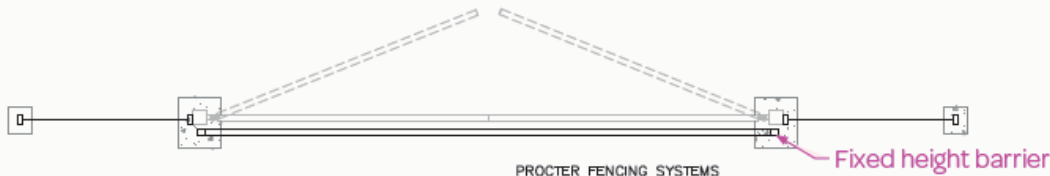
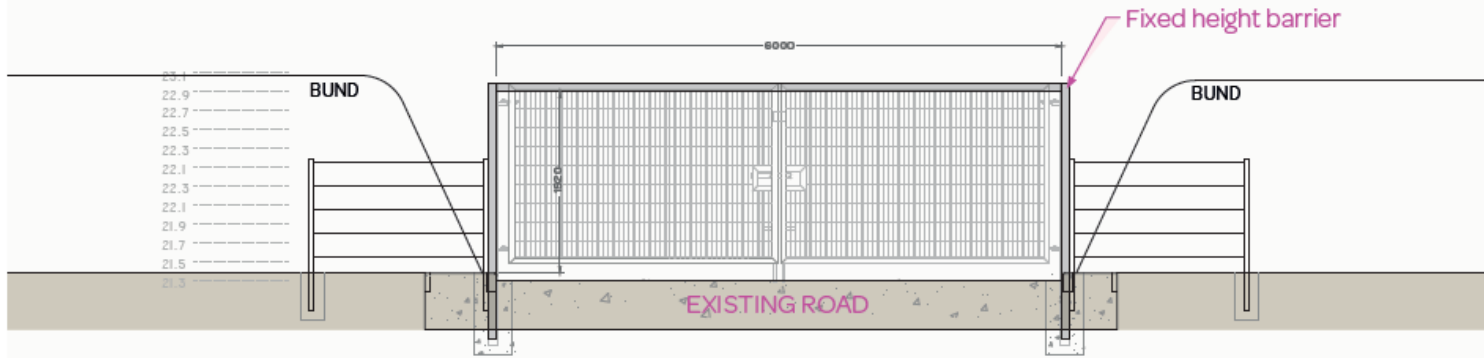
REVISION:
 05

STATUS:
 Final

DATE:
 March 2020

SCALE:
 1:500 @ A2
 1:1,000 @ A4





Materials
 Posts 150x150x5 SHS
 Posts 100x100x5 SHS
 Frame 60x60x3 RHS
 Infill 200x50x5 Mesh

PROCTER FENCING SYSTEMS
 DOUBLE LEAF GATES AND
 SINGLE LEAF - WELDED MESH



Copyright of Turley

This drawing is for illustrative purposes only and should not be used for any construction or realisation purposes. To be scale for planning application purposes only. Not valid or responsible for acceptance of any form unless upon the information contained within this drawing.

Plans reproduced by permission of Ordnance Survey on behalf of The Controller of Her Majesty's Stationery Office. © Crown Copyright and database right (2020). All rights reserved. Ordnance Survey Licence number 100020448

CLIENT: _____

Arts University Bournemouth

PROJECT: _____

Arts University Bournemouth

DRAWING: _____

Entrance Section

PROJECT NUMBER: _____

ARTW3007

DRAWING NUMBER: _____

15_

CHECKED BY: _____

MM

REVISION: _____

01

STATUS: _____

Final

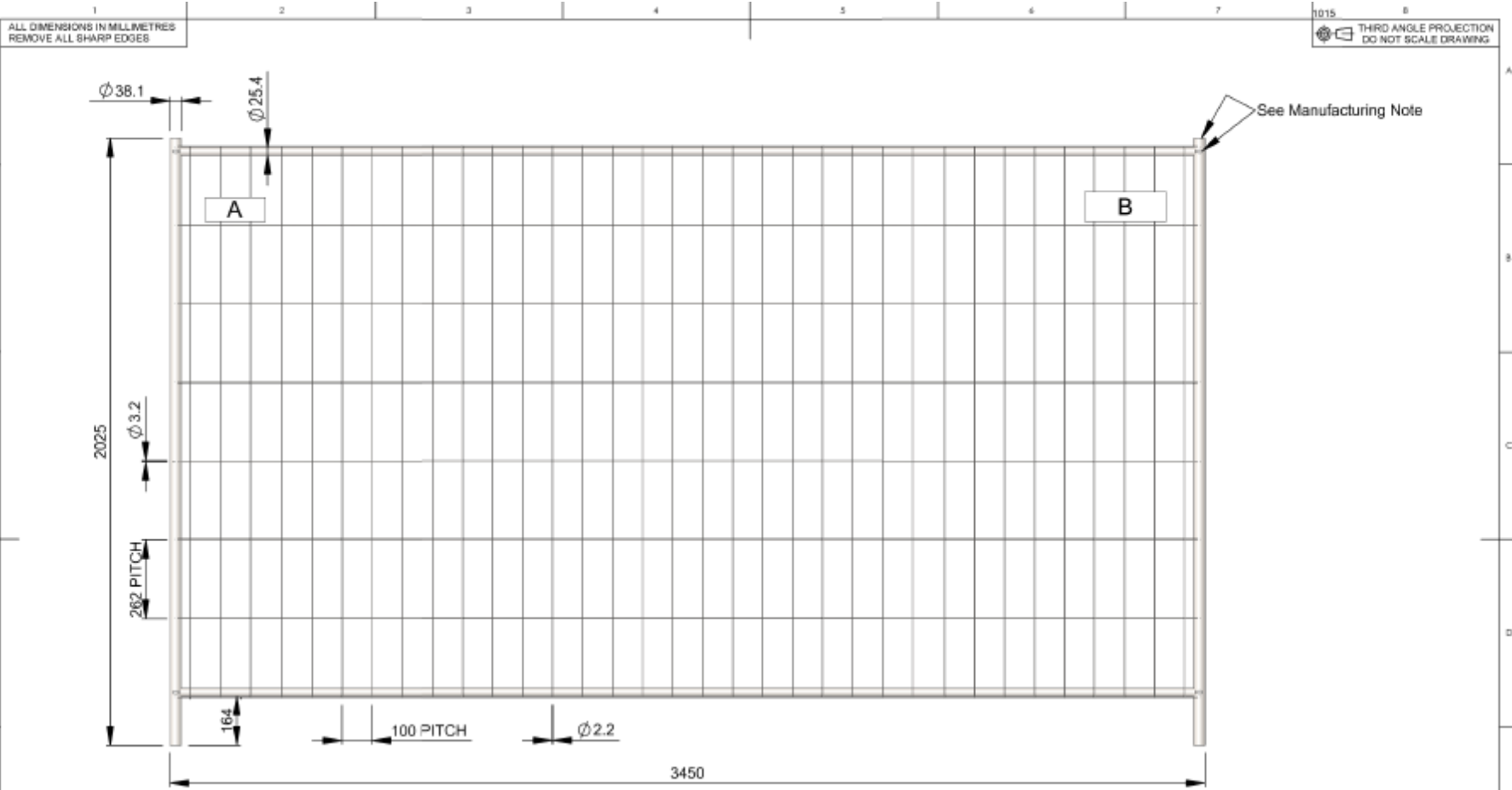
DATE: _____

March 2020

SCALE: _____

1:500 @ A3

Turley



ALL DIMENSIONS IN MILLIMETRES
REMOVE ALL SHARP EDGES

1015 THIRD ANGLE PROJECTION
DO NOT SCALE DRAWING

PANEL LABEL OPTIONS.
LABEL TYPE 'A' IS 196mm x 80mm AND IS ALWAYS ON THE LEFT HAND SIDE OF THE PANEL.
LABEL TYPE 'B' IS 272mm x 100mm AND IS ALWAYS ON THE RIGHT HAND SIDE OF THE PANEL.

Manufacture Note:
During the manufacturing process this model of fence is bundled and packed in a nested format to maximise the loading volume on a vehicle. Each individual pack of panels is strapped very tightly together with metal banding to ensure the goods do not move in transit. This method of packing does however leave small indentations on the vertical tubes at the point where the vertical and horizontal tubes meet and may also result in the top of the vertical tube being slightly oval. Please be aware that this is not a manufacturing defect and will not affect the use of the product in any way.

THE COMPANY RESERVES THE RIGHT TO PERIODICALLY ALTER INFORMATION WITHIN THIS DRAWING SHEET AND WILL ATTEMPT TO NOTIFY ALL PARTIES CONCERNED OF ANY CHANGES AND THE INFORMATION ON THIS SHEET SHOULD NOT BE REPRODUCED WITHOUT THEIR WRITTEN CONSENT.

REV	DATE	DESCRIPTION	DRN	CHKD	APPR
11	17/1/18	ISSUED FOR MANUFACTURE	GC	-	-
10	28/1/18	ISSUED FOR MANUFACTURE	GC	-	-

TOLERANCES - UNLESS STATED OTHERWISE		TITLE			
UNTOLERANCED DIMENSIONS	± 2mm	ST25 STANDARD			
CUTTING LENGTHS	± 2mm				
FABRICATION	UP TO 350mm	NAME	SIGNATURE	DATE	MATERIAL: CARBON STEEL PRE-GALVANISED
	UP TO 1500mm	G. CRICK		2/1/17	
	1001mm & ABOVE	CHKD			
MACHINING	± 0.2mm	FINISH: NONE			
WEIGHT	± 10% (DUE TO MATERIAL PROPERTIES & TOLERANCES)	WIGHT: 11.2 Kg			

Dnr / Stockcode No. **05551731** Revision **11**

SCALE: 1:12.5 SHEET 1 OF 4 A3

LIGHT & ENERGY TF IM5.5Y

FEATURES

- Zinc plated telescopic mast
- Manual winch raiser/lower
- Wind proof up to 80km/h
- Two sets manually adjustable floodlights
- Bundled base
- Trolley with wheels and handles
- On/off switches one for each lamp
- 2 adjustable stabilisers, extensible
- Safety lock
- Super silenced
- Single point lifting eye and forklift pockets
- Meets EC directives for noise and safety

VERSIONS ON REQUEST

- /

OPTIONS ON REQUEST

- Switch for external power supply

AVAILABLE LAMPS

- TF IM5.5Y L-4X150: 4 LED
- TF IM5.5Y A-4X400: 4 HALOGEN
- TF IM5.5Y J-4X400: 4 METAL HALIDE



FEATURES

	TF IM5.5Y L-4X150	TF IM5.5Y J-4X400	TF IM5.5Y A-4X400
Lamps type and numbers	LED N° 4	METAL HALIDE N° 4	HALOGEN N° 4
Illuminated area	1800 mq	1800 mq	750 mq
Lux average	18	19	16
Total lumen	76300 lm	140000 lm	34400 lm
Lamps power	150W	400W	400W
Color temp.	5700 K	5500 K	3000 K

ISOLUX DIAGRAMS
TF IM5.5Y J-4X400



ISOLUX DIAGRAMS
TF IM5.5Y L-4X150

GRAPHIC NOT
AVAILABLE

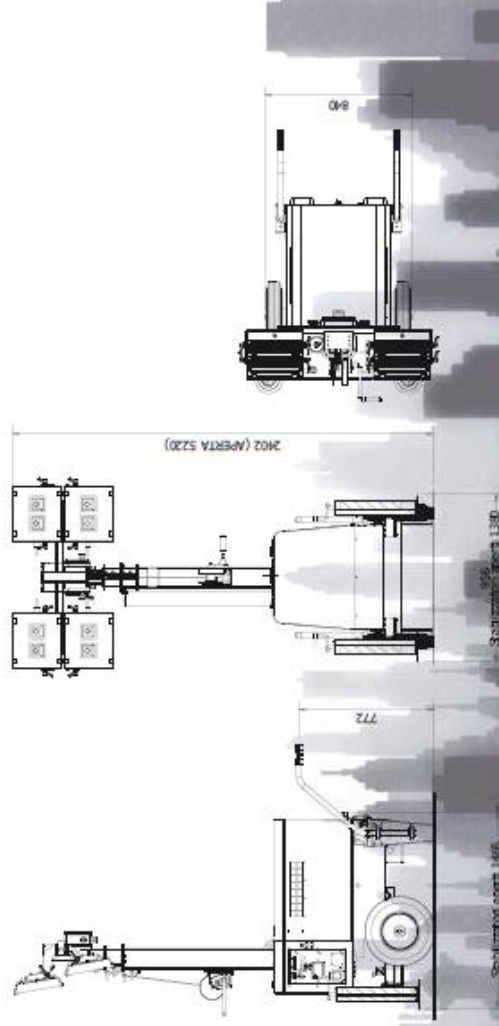
ISOLUX DIAGRAMS
TF IM5.5Y A-4X400



The company reserves the right to change this specification without notice. For further information please contact the sales department.
© MOSA - Via Lampo, 39 - 20080 Casapalanda (MI) - Tel. +39-02-82811 - Fax +39-02-8281008 - E-mail: info@mosa.it Web site: www.mosa.it

TECHNICAL DATA

LIGHTS AND MAST	
LAMP TYPE:	4X150W - LED 4X400W - HALOGEN 4X400W - METAL HALIDE
MAST ROTATION:	/
MAST:	TELESCOPIC - MANUAL
GENERAL CHARACTERISTICS	
WIND LOAD STABILITY:	UP TO 80 km/h
TANK CAPACITY:	23 l
RUNNING TIME:	44h (LED) 32h (HALOGEN) 32h (METAL HALIDE) 11h GENERATOR
IP PROTECTION:	IP 23 (IP 55 LAMPS)
ACOUSTIC POWER:	LWA = 93 dbA LpA = 68 dbA @ 7 m
STABILIZERS:	2 ADJUSTABLE EXTENSIBLE
- FULLY DEPLOYED (WORKING CONDITIONS) -	
DIMENSIONS (LxWxH) (mm):	Length 1853 Width 1380 Height 5500
- TRANSPORT CONDITIONS -	
WEIGHT (DRY):	BASE ASSEMBLY 1125 1256 2236 395 kg
4-STROKE DIESEL ENGINE, DIRECT INJECTION, AIR COOLING	
MODEL:	YANMAR L70N
SOUND BY NET POWER:	4.5 kW
PRP NET POWER:	4.1 kW
CYLINDERS / DISPLACEMENT:	1 / 320 cm ³
SPEED:	3000 rpm
FUEL CONSUMPTION:	0.5 + 4.2 l/h (min-max)
BATTERY:	12V - 39Ah
GENERATOR	
ALTERNATOR:	4.2 kVA, SINGLE-PHASE, SYNCHRONOUS, BRUSHLESS, 2 POLES - COS φ = 0.9 - INSULATION CLASS = H
OUTPUT POWER SOCKETS:	3.1 kVA (2.8 kW) 230V / 13.5A 50 Hz 1x230V/16A 2P+T CEE 3.1 kVA (2.8 kW) 115V / 27A 50 Hz 1x115V/16A 2P+T CEE



The company reserves the right to change this specification without notice. For further information please contact the sales department.
 © MOSA - Via Europa, 59 - 20090 Cologno (Milano) - Italy - phone +39-029252.1 - fax +39-029256499 - E-mail: info@mosa.it Web site: www.mosa.it